

FIRESIGHT

30HC200

30" 200Hz CURVED WFHD GAMING MONITOR

INSTRUCTION MANUAL

A30A3M25



HDMI[®]
HIGH-DEFINITION MULTIMEDIA INTERFACE

ADX 

Contents

Safety Warnings	3
Unpacking	5
Product Overview	6
Front View.....	6
Rear View.....	6
Connections	7
HDMI Connection.....	7
DP Cable Connection.....	7
AUDIO Connection.....	8
Using Earphones.....	8
Connecting to Mains Supply.....	9
Installation	10
Assembling with the Base Stand.....	10
Adjusting angle.....	12
Adjusting Height.....	12
Wall Mounting.....	13
Operation	15
Switching On/Off.....	15
Display Settings.....	15
Customizing Settings	15
Contextual Mode Settings.....	15
Game Crosshair Mode Settings.....	15
General Settings.....	16
Virtual Response Time	18
Maintenance	18
Cleaning the Unit.....	18
Hints and Tips	19
Specifications	20

Safety Warnings

- Read all the instructions carefully before using the unit and keep them for future reference.
- Retain the manual. If you pass the unit onto a third party make sure to include this manual.
- Check that the voltage marked on the rating label matches your mains voltage.
- **WARNING:** Never let people (including children) with reduced physical, sensory or mental capabilities or lack of experience and / or knowledge use electrical devices unsupervised.
- To avoid danger of suffocation, keep plastic bags out of reach of babies, children and domestic animals.
- Carefully attach the stand to the monitor. If the stand is provided with screws, tighten the screws firmly to prevent the Monitor from tilting. Do not over tighten the screws and mount the stand rubbers properly.

Damage

- Please inspect the unit for damage after unpacking.
- Do not continue to operate the unit if you are in any doubt about it working normally, or if it is damaged in any way - switch off, unplug from the mains socket and consult your dealer.

Location of Unit

- The unit must be placed on a flat stable surface and should not be subjected to vibrations.
- Do not place the unit on sloped or unstable surfaces as the unit may fall off or tip over.
- The mains socket must be located near the unit and should be easily accessible.
- This unit is designed for indoor, domestic use only.
- Use this monitor set at an altitude of less than 2000 meters above sea level, in dry locations and in regions with moderate or tropical climates.

Wall Mounting

- Read the monitor and wall mount instructions before mounting your monitor on the wall.
- The wall mount bracket is not supplied, they can be purchased from your dealer.
- Do not install the monitor on a ceiling or an inclined wall.
- Only use the screws supplied with the wall

mount bracket when attaching the monitor to the bracket. See your monitor instructions for screw type.

- Tighten the wall mount screw firmly to prevent the monitor from falling. Do not over tighten the screws.
- If you are in any doubt how to mount your monitor, contact a professional.

Maintenance

- Ensure to unplug the unit from the power supply before cleaning.
- Do not use any type of abrasive pad or abrasive cleaning solutions as these may damage the unit's surface.
- Do not use liquids to clean the unit.

Temperature

- Avoid extreme degrees of temperature, either hot or cold. Place the unit well away from heat sources such as radiators or gas / electric fires
- Avoid exposure to direct sunlight and other sources of heat.
- Naked Flames
- Never place any type of candle or naked flame on the top of or near the unit.

Moisture

- To reduce the risk of fire, electric shock or product damage, do not expose this unit to rain, moisture, dripping or splashing. No objects filled with liquids, such as vases, should be placed on the unit.
- If you spill any liquid into the unit, it can cause serious damage. Switch it off at the mains immediately. Withdraw the mains plug and consult your dealer.

Ventilation

- To prevent the risk of electric shock or fire hazard due to overheating, ensure that curtains and other materials do not obstruct the ventilation vents.
- A minimum distance of 5 cm around the unit should be maintained to allow for sufficient ventilation.
- Do not install or place this unit in a bookcase, built-in cabinet or in another confined space. Ensure the unit is well ventilated.

Safety

- Always disconnect the unit from the mains supply before connecting / disconnecting

other devices or moving the unit.

- Unplug the unit from the mains socket during a lightning storm and long inactivity periods (going on holiday).
- In the interests of safety and to avoid unnecessary energy consumption, never leave the unit switched on while unattended for long periods of time, e.g. overnight, while on holiday or while out of the house. Switch it off and disconnect the mains plug from the mains socket.

Mains Adapter Cable

- Make sure the unit or unit stand is not resting on top of the mains adapter cable, as the weight of the unit may damage the cable and create a safety hazard.



The mains plug is used as disconnect device, the disconnect device shall remain readily operable.

Mains Adapter

- The mains adapter will continue to draw electricity from the mains supply when plugged in the mains socket. In the interests of safety and to avoid unnecessary energy consumption, never leave the adaptor plugged in the mains socket while unattended for long periods of time. Disconnect the adapter from the power supply.



Use only power supplies listed in the user instructions.

Interference

- Do not place the unit on or near appliances which may cause electromagnetic interference. If you do, it may adversely affect the operating performance of the unit, and cause a distorted picture or sound.

Optimum viewing

- View the unit in moderate light to prevent eye strain. It is recommended to watch the unit from a distance 3-7 times that of the screen height.

LCD screen

- The LCD screen is manufactured using high-precision technology. However, some tiny black points and / or bright points (red, blue or green in colour) may constantly appear on the LCD screen. These points are generated in the manufacturing process and are normal.

Screen Burn

- A characteristic of Plasma and Monitor Panels

is that displaying the same image for a long time may cause a permanent after-image to remain on the screen. This is called screen burn. Most pictures shown on the unit will be constantly moving and fill the screen.

- To prevent screen burn if viewing any of the above for long periods of time, reduce contrast and brightness when viewing. Once burn-in occurs it will never disappear completely.

Standby

- The button on the unit does not switch off the unit completely. The unit will continue to draw electricity from the mains supply while in standby. In the interests of safety and to avoid unnecessary energy consumption, never leave the unit in standby while unattended for long periods of time, e.g. overnight, while on holiday or while out of the house. Disconnect the mains plug from the mains socket.

Supervision

- Children should be supervised to ensure that they do not play with the unit.
- Never let anyone especially children push anything into the holes, slots or any other openings in the case - this could result in a fatal electric shock.

Earthing

- Apparatus connected to the protective earthing of the building installation through the MAINS connection or through other apparatus with a connection to protective earthing - and to a monitor distribution system using coaxial cable, may in some circumstances create a fire hazard. Connection to a monitor distribution system has therefore to be provided through a device providing electrical isolation below a certain frequency range (galvanic isolator, see EN 60728-11).

Thank you

for purchasing your new product.
We recommend that you spend some time reading this instruction manual in order that you fully understand all the operational features it offers. You will also find some hints and tips to help you resolve any issues.

Read all the safety instructions carefully before use and keep this instruction manual for future reference.

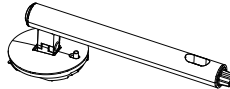
Unpacking

Remove all items from the packaging. Retain the packaging. If you dispose of it please do so according to local regulations.

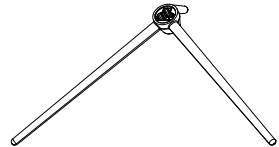
The following items are included:



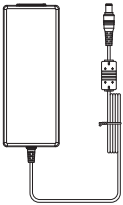
Main Unit



Stand Stem



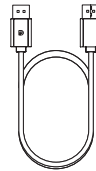
Base Stand



Mains Adapter



Mains Cable



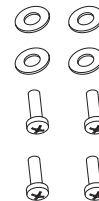
DP Cable



Mount Stud (31 mm)



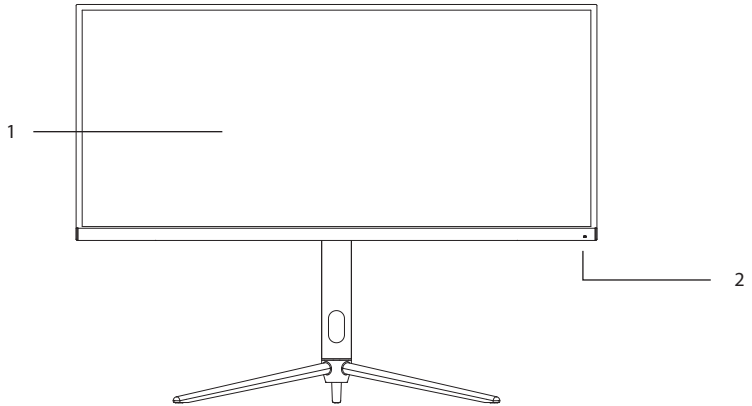
Mount Stud (42 mm)



Screw and Washer × 4
(for wall mounting)

Product Overview

Front View

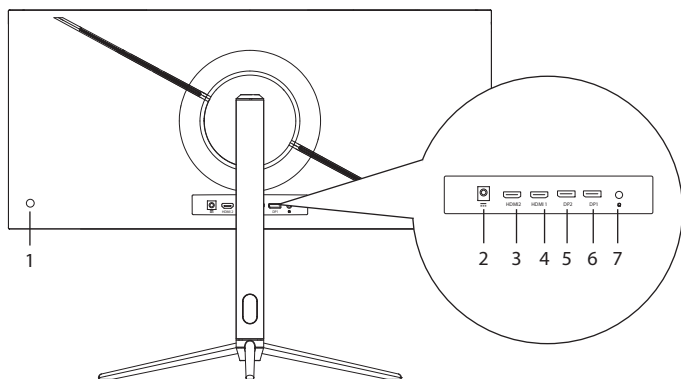


1. Screen Display

2. Indicator

- Light up blue while power on.
- Light up red if no signal is detected.

Rear View



1. Control Stick

2. Power Socket

3. HDMI 2 Socket

4. HDMI 1 Socket

5. DP 2 Socket

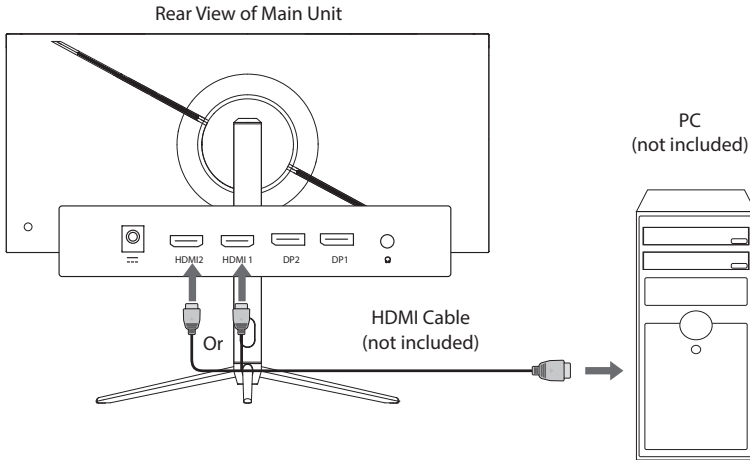
6. DP 1 Socket

7. AUDIO Socket

Connections

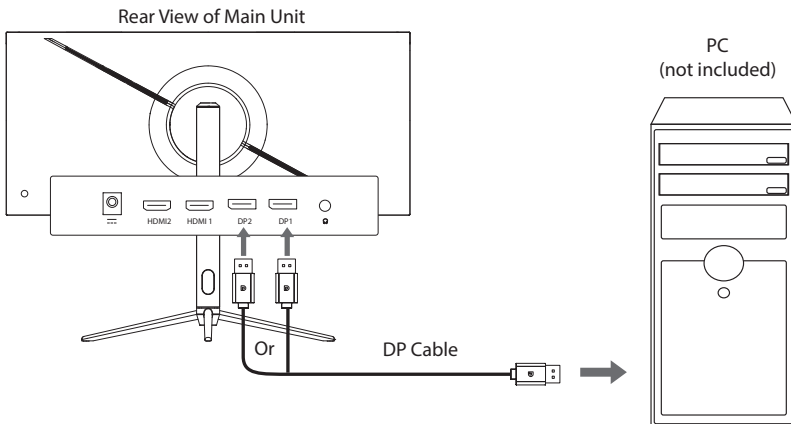
HDMI Connection

Use the HDMI cable (not included) to connect the **HDMI 1** or **HDMI 2** socket of the unit to the HDMI OUT socket of your PC (not included).



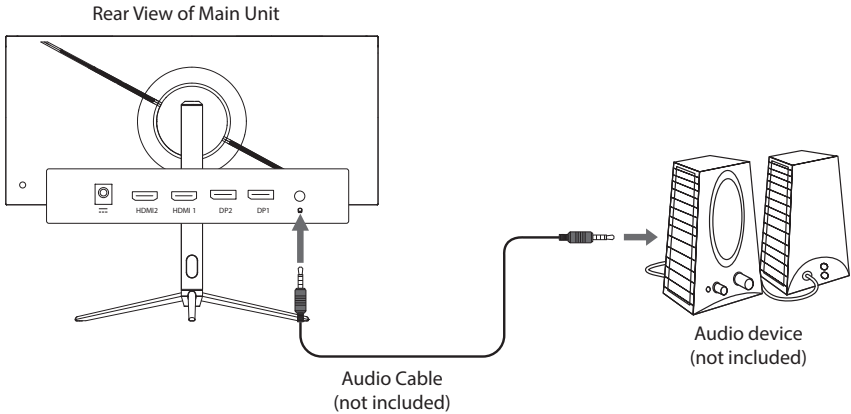
DP Cable Connection

Use the DP cable to connect the **DP1** or **DP2** socket of the unit to the DP OUT socket of your PC (not included).



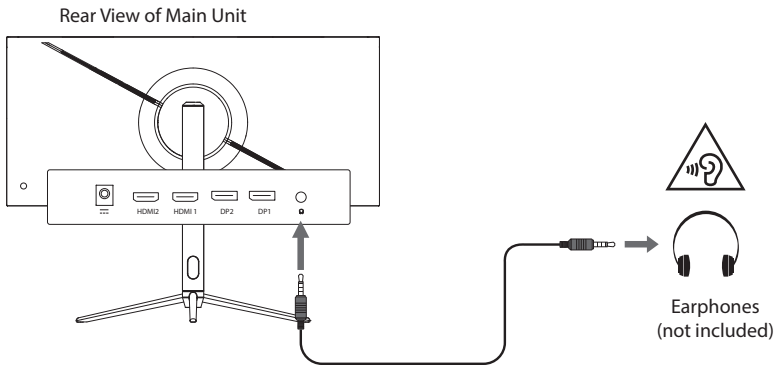
AUDIO Connection

Use an audio cable (not included) to connect the **AUDIO** socket of the main unit and an AUDIO IN socket of an audio device (e.g. speaker; not included).



Using Earphones

Turn down the volume from the source input before using the earphones (not included). Connect the earphones to the **AUDIO** socket. Slowly raise the volume with the earphones on until you reach your desired volume.



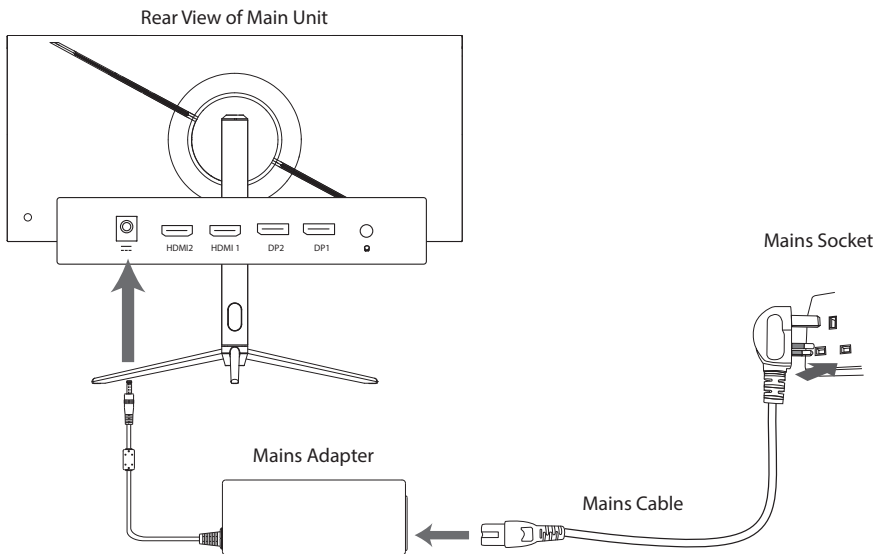
Long-term exposure to loud music may cause hearing damage. It is best to avoid extreme volume when using earphones, especially for extended periods.



If you select the main unit (**A30A3M25**) for audio output in your computer, make sure that you have a valid **AUDIO** connection.

Connecting to Mains Supply

1. This unit operates with a mains adapter and cable (included).
2. Connecting the unit to any other power source may damage the unit. Unwind the mains cable and mains adapter to their full length. Connect the end of the cable of the mains adapter to the **Power** socket of the unit, and then connect the end of the mains cable to the mains adapter. Connect the mains plug into the mains socket.
3. Make sure the mains plug is fully inserted into the mains socket, and the cable of adapter fully inserted into the **Power** socket of the unit. The unit is now connected and ready to use.
4. To switch the unit off completely, unplug the mains plug the mains socket.

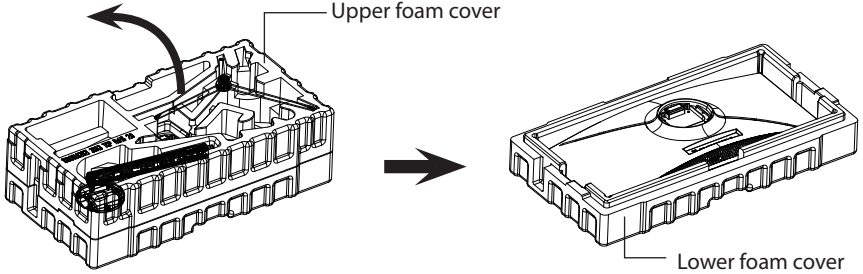


Ensure all connections are completed before connecting to the mains power socket.

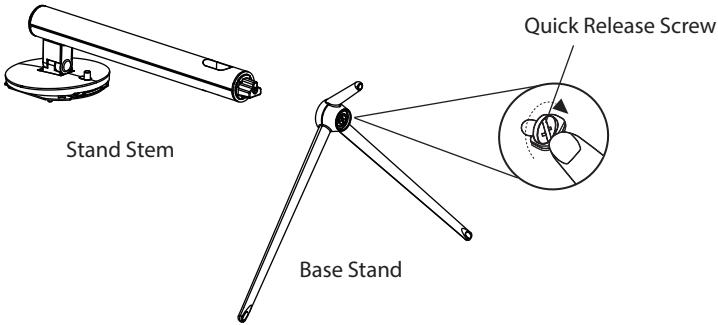
Installation

Assembling with the Base Stand

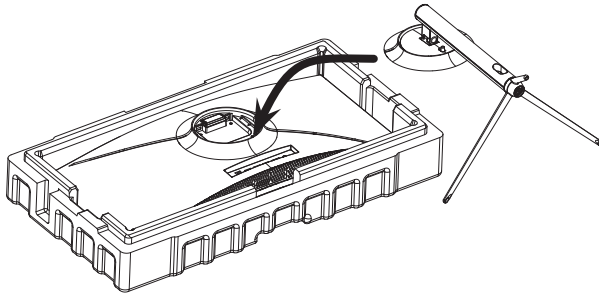
1. Take out the unit with the foam. Gently place it on a flat surface. Remove the upper foam cover. Take out the monitor from the film bag, and then place it onto the lower foam cover



2. Install the stand stem onto the base stand. Fasten the quick release screw on the base stand.

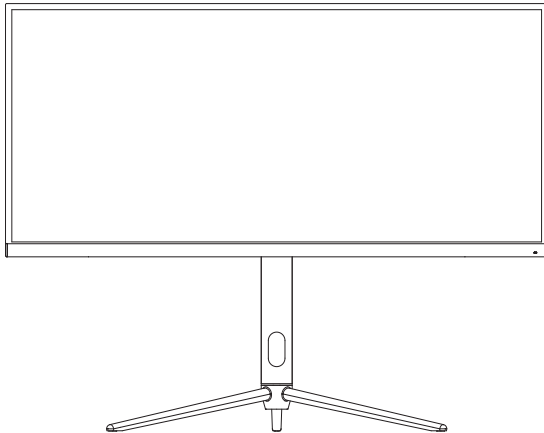


3. Install the assembled base stand with the main unit.



Slide the stand into the back of the unit until you hear a “click” sound. Make sure that the stand is securely installed before you lift up or move the unit.

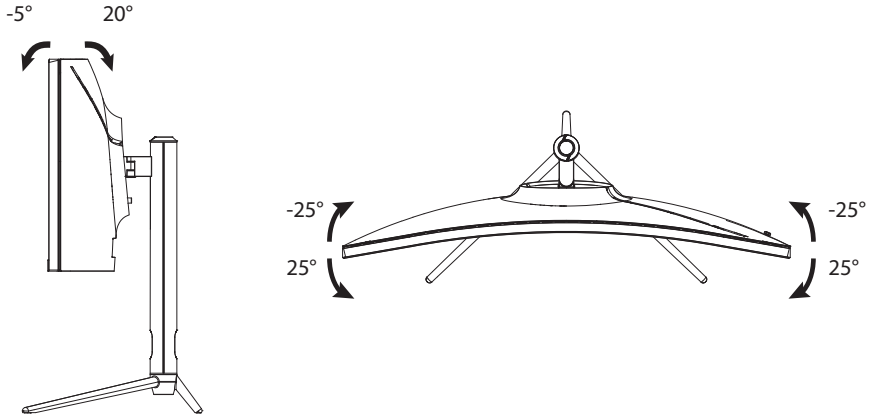
4. Stand the main unit in upright position.



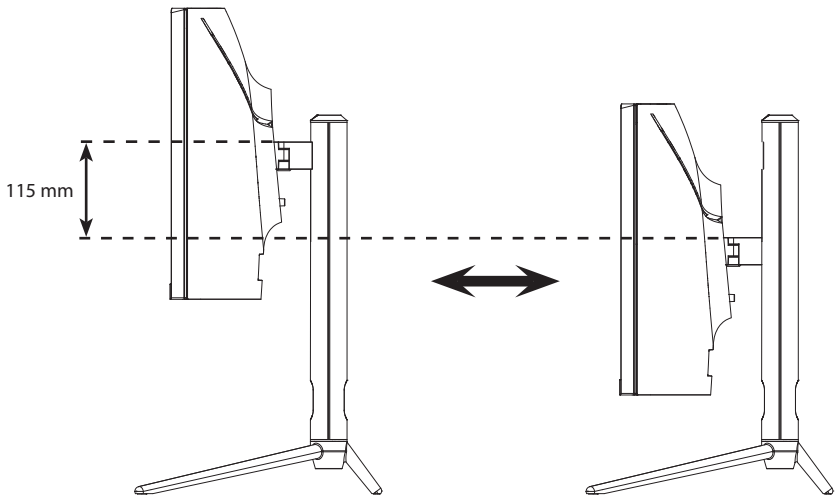
During standing of the whole monitor, do not press the liquid crystal screen with hand to avoid damage to the screen.

Adjusting angle

You may adjust the angle of the screen for a comfortable viewing experience. The angle of the screen can be adjusted forwards or backwards from -5° to 20° , or swiveled from side to side between -20° to 20° .



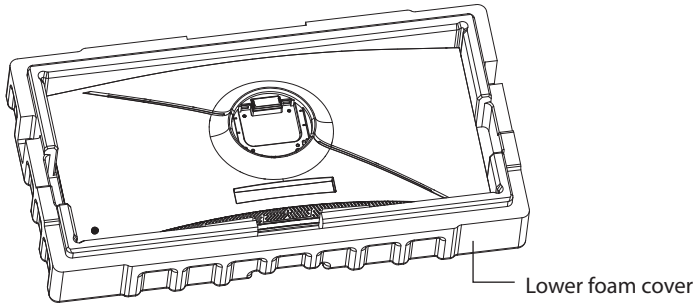
Adjusting height



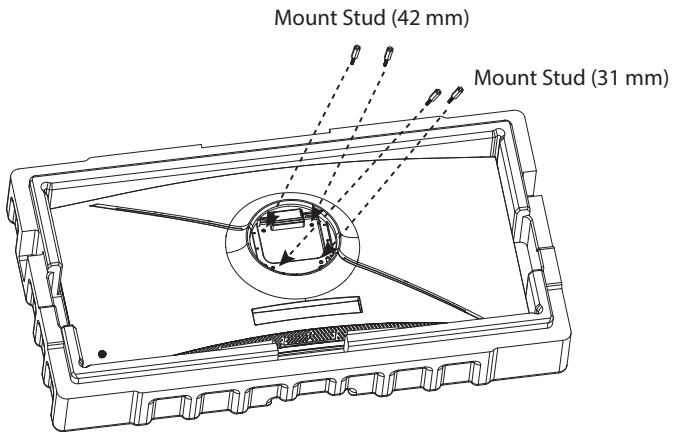
Do not touch or press the screen area when adjusting the angle and the height of the monitor.

Wall Mounting

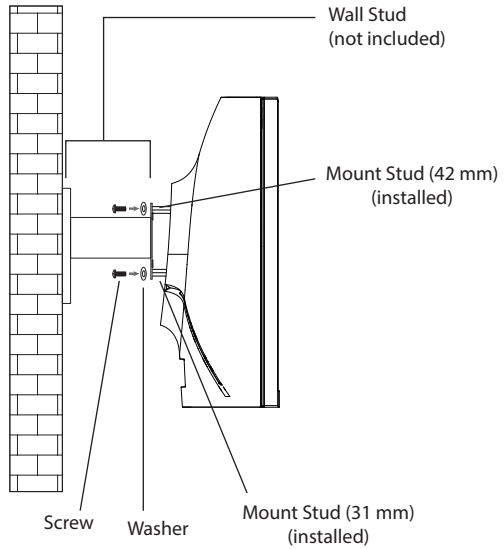
1. Take out the unit with the foam. Gently place it on a flat surface.
2. Remove the upper foam cover. Take out the monitor from the film bag, and then place it onto the lower foam cover



3. Tighten the mounting studs at the rear of the main unit, as shown below.



4. Install the unit onto the wall with the wall stud (not included), and then mount it onto the wall.



The mounting hole distance of the mount for the unit is 75×75 mm.



- Make sure that all the screws and studs are firmly installed.
- Do not place or hang any object on the mounted unit.
- Do not hang the unit over 2 meters from the ground.

Operation

Switching On/Off

- Press the control stick to switch on the unit. The display will show the **ADX** logo.
- Press the control stick again to switch off the unit.
- Unplug the mains plug and adapter from the mains socket to switch off the unit completely.

Display Settings

1. Slide the control stick to the right to enter submenu / menu, or confirm your selection.
2. Slide the control stick upwards to enter **Contextual Mode** menu.
3. Slide the control stick to the left to return to the previous menu, or select the input source.
4. Slide the control stick downwards to enter **Game Crosshair Mode Settings** menu.



The unit will show **No Signal**, and then **Enter Sleep Mode** if no input source is detected. Then the unit will enter **Sleep** mode.

Customizing Settings

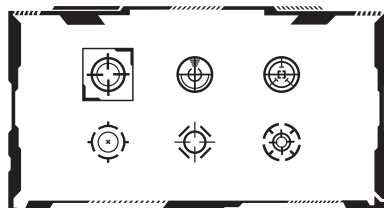
Contextual Mode Settings

1. Slide upward the control stick to enter the Contextual menu.
2. Slide the control stick upward/downward to select **Movie / Reading / Night Mode**.



Game Crosshair Mode Settings

1. Slide downward the control stick to enter the Contextual menu.
2. Slide the control stick upward/downward to select your desired setting, and then slide the control stick to the right to confirm.

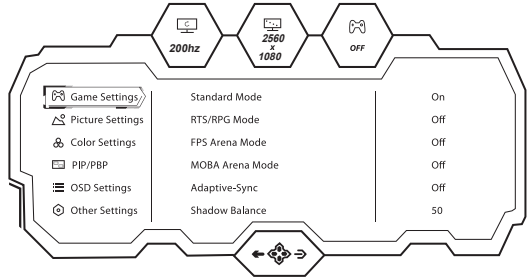


You may reconfigure the **Hotkey1-3** Setting in the **OSD Settings** menu. The default setting of the Hotkeys are as below:

- **Hotkey1** (left): Enter the **Input Source** menu.
- **Hotkey2** (up): Enter the **Contextual Mode** menu.
- **Hotkey3** (down): Enter the **Game Crosshair Mode** menu.

General Settings

1. Slide the control stick to the right to enter the **General Settings** menu.
2. Slide the control stick upwards/downwards to select the following options
3. Slide the control stick to the right to confirm your settings.
4. Slide the control stick to the left to exit from the submenu, or from the menu screen.



To enter the **General Settings** menu, make sure that your unit is connected with a device with input signal. Otherwise, the unit will **Enter Sleep Mode**.

Game Setting	Standard Mode	Off/On
	Standard Mode	Off/On
	FPS Arena Mode	Off/On
	MOBA Arena Mode	Off/On
	Adaptive-Sync	Off/On
	Shadow Balance	0-100
	Response Time	Off/Normal/Fast/Ultrafast
	Refresh Rate	Off/On/Position
	Game Crosshair	Off/Crosshair 1/Crosshair 2/Crosshair 3/Crosshair 4/Crosshair 5/Crosshair 6
	Game Time	Off/15:00/30:00/45:00/60:00/Position
	Dynamic Brightness	Off/Normal/Expert/Elaboration
	Virtual Response Time	Off/On
	Ambient Lighting	Off/Led Bar
Picture Settings	Brightness	0-100
	Contrast	0-100
	DCR	Off/On
	Contextual Model	Off/Movie mode/Reading mode/Night mode/Care eyes mode
	Low Blue Light	0-100
	Sharpness	0-5
	Gamma	1.8/2.0/2.2/2.4/2.6/S.curve
	Aspect Ratio	Wide Screen/4:3/1:1/Auto

Colour Settings	Warm	Off/On
	Natural	Off/On
	Cool	Off/On
	User1	Off/On
	User2	Off/On
	User3	Off/On
	Hue	0-100(R/G/B/C/M/Y)
	Saturation	0-100(R/G/B/C/M/Y)
PIP/PBP	PIP/PBP Mode	Off/PIP Mode/PBP 2Win 1:1
	Sub-Signal Source	DP1/DP2/HDMI1/HDMI2
	Auto Source	Auto/DP1/DP2/HDMI1/HDMI2
	PIP Position	Top Right/Top Left/Bottom Right/ Bottom Left
	PIP Size	Small/Medium/Large
	Window Swap	Off/On
OSD Settings	Language	English
	OSD Time Out	50-60
	OSD H-Position	0-100
	OSD V-Position	0-100
	OSD Transparency	0-5
	Hotkey1 Setting	Brightness/Contrast/Volume/Mute/ Shadow Balance/Game Crosshair/ Refresh Rate/Game Time/Contextual Model/PIP/PBP Mode/Input Signal /Dynamic Brightness
	Hotkey2 Setting	
	Hotkey3 Setting	
	OSD Lock	Off/On
Other Settings	Input Signal	Auto/DP1/DP2/HDMI1/HDMI2
	Volume	0-100
	Mute	Off/On
	Auto Power	Off/On
	Eyeshield Remind	Off/On
	Reset	No/Yes
	Information	Input Source: /Resolution: /Mode:



OSD Lock setting

- Once the **OSD Lock** is set **ON**, the on screen display will be locked after exiting from the **General Setting** menu. The OSD lock indicator will show if you press or slide the control stick.
- To unlock, press the control stick, then slide it to the right and hold for about 5 seconds to deactivate the feature.



OSD Lock ON

Virtual Response Time

The unit supports Virtual Response Time. It provides a better display on fast moving images. You may adjust the “**Virtual Response Time**” setting in **OSD menu**.



Virtual Response Time: **Off**



Virtual Response Time: **Ultrafast**

Maintenance

Cleaning the Unit



Ensure the unit is fully unplugged from the mains socket before cleaning.

- Use a soft dry cloth to wipe away the dust from the screen and surfaces.
- If the surfaces are extremely dirty, clean the monitor with a cloth which has been dipped in a slightly soapy water. Wring the cloth until it is almost dry, then use it to wipe the monitor.
- Ensure there is no excess water on the screen. Allow any water or dampness to evaporate before switching the monitor on.



- Never use alcohol, benzene, paint-thinner, cleaning fluid or other chemicals.
- Do not use compressed air to remove dust.

Hints and Tips



The following table contains various hints and tips to get the best performance from your monitor. If you require additional assistance:

- For UK, please call our UK Call Centre on 0344 561 1234.
- For Ireland, please call our Ireland Call Centre on 0818 810575.

Problem	Solution
No image on screen	<ul style="list-style-type: none">• Make sure that the unit is switched on.• Make sure that the unit is connected with a mains socket with power supply.• Make sure that the correct input is selected.
Out of Focus or poor image	Check if the image signal cable is inserted properly.
No audio output	Connect the main unit with a audio equipment, speaker or earphones, and then increase the volume of the connected device.

If problem(s) persists, contact a qualified service agent for assistance.

Specifications

Brand		ADX
Model		A30A3M25
Aspect Ratio		21:9
Viewing Angle		≤178°(H) / ≤178°(V)
Pixel Pitch		0.2697 (H) × 0.2697 (V) mm
Contrast Ratio		3000:1 (TYP)
Colours		16.7M
Screen Resolution (Horizontal × Vertical) (pixel)		2560 × 1080
Maximum Refresh Rate		200 Hz
Power Input		12V  4.0A 
Dimension (L × W × H)		approx. 701.1 × 121.7 × 317.6 mm (without base) approx. 701.1 × 269.3 × 536.3 mm (with stand base installed)
Tilting Angle		Forward tilting: 5°(±2°) Backward tilting: 20°(±2°)
Rotation Angle		-25° (±2°) / + 25°(±2°)
Height Adjustment Range		115 mm ±5
Environmental conditions	Action	Temperature: 0°C~ 40°C Humidity: 10%~90% RH (non-condensing)
	Storage	Temperature: -20°C~ 60°C Humidity: 5%~95% RH (non-condensing)
Energy Efficiency Class		F
Screen diagonal (cm / inches)		76.2 / 30
Power Consumption		38W
Average Energy Consumption		25 kWh/1000h
Standby Power Consumption		0.5 W
Brightness		300 cd/m2
Panel System		30 inch LED backlit LCD panel
Net Weight		5.76 kg include monitor + stand + base
Gross Weight		6.19 kg include the completed monitor with package
Input / Output Sockets		
HDMI		2
DP		2
AUDIO OUT		1

On mode power demand in Standard Dynamic Range (SDR)	25 W
Off mode, power demand, if applicable	0.3 W
Standby mode power demand, if applicable	0.4 W
Electronic display category	Monitor
Visible screen area	20.1 dm ²
Panel technology used	LCD
Minimum guaranteed availability of software and firmware updates (from the date of end of the placement on the market) (Years)	8
Minimum guaranteed availability of spare parts (from the date of end of the placement on the market) (Years)	7
Minimum guaranteed product support (Years)	7
Minimum duration of the general guarantee offered by the supplier (Years)	5
Power supply type	External

Mains Adapter

Energy related Products (ErP) Directive

Model	GQ48-120400-E1
Manufacturer	Dongguan City Gangqi Electronic Co., Ltd
Input Voltage	100-240V~ 50/60 Hz 1.5 A Max
Input AC frequency	50-60 Hz
Output voltage	DC 12.0 V
Output current	4.0 A
Output power	48.0 W
Average active efficiency	88.5%
Efficiency at low load (10%)	86.9%
No-load power consumption	0.09W

Features and specifications are subject to change without prior notice.

Currys.co.uk

All the support you need.

Whether it's a tech emergency or
you need plain good advice, we're
always on hand to help.

UK: 0344 561 1234

IRE: 0818 810575

Partmaster
_____.CO.UK

Visit Partmaster.co.uk today for the easiest way to buy electrical spares and accessories.
With over 1 million spares and accessories available we can deliver direct to your door
the very next day. Visit www.partmaster.co.uk or call **0344 800 3456** (UK customers only).
Calls charged at National Rate.



The symbol on the product or its packaging indicates that this product must not be disposed of with your other household waste. Instead, it is your responsibility to dispose of your waste equipment by handing it over to a designated collection point for the recycling of waste electrical and electronic equipment. The separate collection and recycling of your waste equipment at the time of disposal will help conserve natural resources and ensure that it is recycled in a manner that protects human health and the environment.

For more information about where you can drop off your waste for recycling, please contact your local authority, or where you purchased your product.

The terms HDMI, HDMI High-Definition Multimedia Interface, HDMI Trade dress and the HDMI Logos are trademarks or registered trademarks of HDMI Licensing Administrator, Inc.

Currys Group Limited (co. no. 504877)
1 Portal Way, London, W3 6RS, UK

EU Representative

Currys Ireland Limited (259460)
3rd Floor Office Suite, Omni Park SC
Santry, Dublin 9, Republic of Ireland

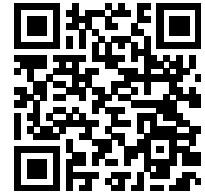
Product Information Sheet

COMMISSION DELEGATED REGULATION (EU) 2019/2013 with regard to energy labelling of electronic displays

	Parameter	Parameter or value and precision			Unit
1.	Supplier's name or trademark.	ADX			
	Supplier's address.	Customer Services, 3RD FLOOR OFFICE SUITE, OMNI PARK SHOPPING CENTRE, SANTRY DUBLIN 9, SANTRY, DUBLIN			
2.	Model identifier	A30A3M25			
3.	Energy Efficiency Class for Standard Dynamic Range (SDR)	F			
4.	On mode power demand in SDR	25,0			W
5.	Energy Efficiency Class for High Dynamic Range (HDR)	n.a.			
6.	On mode power demand in HDR, if implemented	n.a.			W
7.	Off mode, power demand, if applicable	n.a.			W
8.	Standby mode power demand, if applicable	0,3			W
9.	Networked standby mode power demand, if applicable	0,5			W
10.	Electronic display category	Monitor			
11.	Size ratio	21	:	9	
12.	Screen resolution	2 560	x	1 080	pixels
13.	Screen diagonal	75,0			cm
14.	Screen diagonal	30			inches
15.	Visible screen area	20,1			dm ²
16.	Panel technology used	LED LCD			
17.	Automatic Brightness Control (ABC) available	No			
18.	Voice recognition sensor available	No			
19.	Room presence sensor available	No			
20.	Image refresh frequency rate (default)	200			Hz
21.	Minimum guaranteed availability of software and firmware updates (from the date of end of the placement on the market)	8			Years
22.	Minimum guaranteed availability of spare parts (from the date of end of the placement on the market)	7			Years
23.	Minimum guaranteed product support	7			Years
	Minimum duration of the general guarantee offered by the supplier	5			Years
24.	Power supply type	External			
25.	External power supply (non standardized and included in the product box)				
	<i>i</i>	GQ48-120400-E1			

	<i>ii</i>	Input voltage	240	V
	<i>iii</i>	Output voltage	12,0	V
26.	External standardised power supply (or suitable one if not included in the product box)			
	<i>i</i>	-		
	<i>ii</i>	Required output voltage	-	V
	<i>iii</i>	Required delivered current (minimum)	-	A
	<i>iv</i>	Required current frequency	-	Hz

Model placed on the Union market from 15/05/2024



EPREL registration number: 1992747

<https://eprel.ec.europa.eu/qr/1992747>

Supplier: Currys Ireland Limited (Importer)

Website: <https://www.currys.co.uk>

Customer care service:

Name: Customer Services

Website:

Email: customer.services@currys.ie

Phone: +3531890 400 001

Address:

3RD FLOOR OFFICE SUITE, OMNI PARK SHOPPING CENTRE, SANTRY DUBLIN 9, SANTRY, DUBLIN